



Premium Intra-oral X-ray

Designed for your convenience

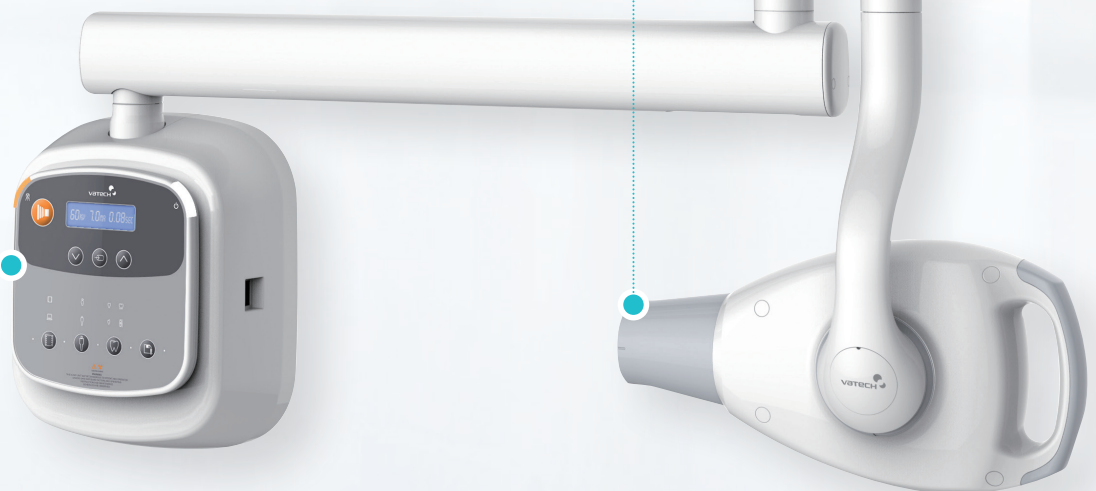
- Streamline design for easy one-hand grip
- 4.7kg head for stable positioning
- Only 2 clicks needed for capturing
- Detachable control panel



Detachable control panel

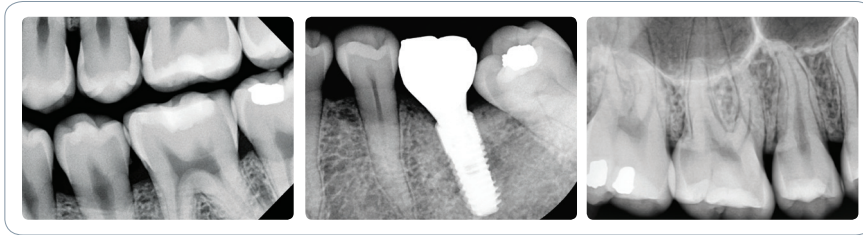
Hazard free, Rounded edges

Easy one-hand grip



Product highlights

Safe & Clear Image



EzRay Premium provides diagnostic values with advanced technology.

A focal spot of 0.4 mm create sharpen images perfectly matched to whatever digital intra-oral sensor, PSP or film product you use.

User friendly

► Easy to use

Intuitive icons on LED screen Detachable panel

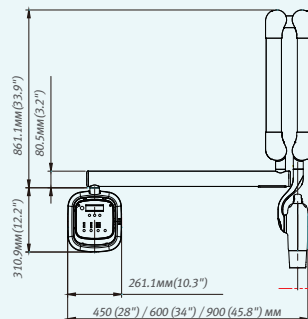
► Optimized automatic settings

EzRay Premium has a pre-programmed setting for each tooth. With one click of a button, it automatically optimizes image capturing such as capture area and patient condition for each case.

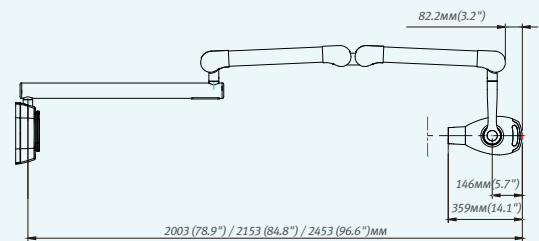


Dimensions

Retracted Wall Mount



Extended Position Wall Mount



Specification

(VEX-S100W)

Focal Spot	0.4mm
Tube Voltage	Selectable 50 – 70kVp
Current	4 – 7 mA
Exposure Time	Selectable 0.04 – 2.0 sec
Arm Length (Option)	450, 600, 900 mm
Line Voltage	100 – 230V ± 10%
Accessories	Exposure hand switch
Cone	Round 20cm (8") Option: Round 30cm (12"), Rectangular 20cm / 30cm (8" / 12")

* The specifications are subject to change without prior notice.