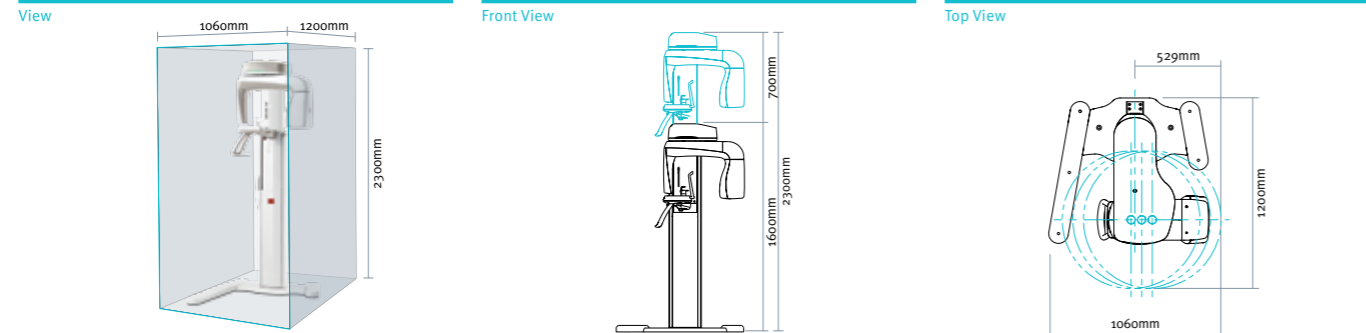


## PaX-i Series - Product configuration

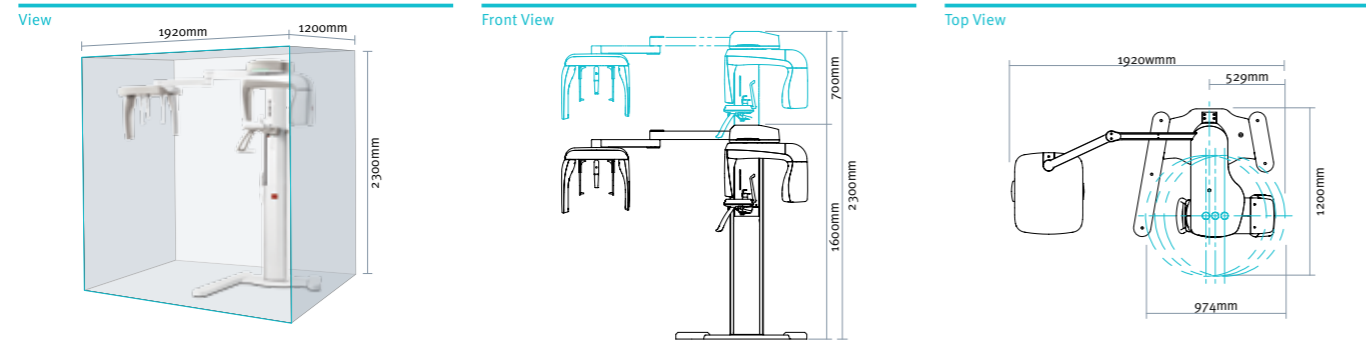
	Pano	Ceph	
		Scan	One shot
PaX-i	0	-	-
PaX-i SC	0	0	-
PaX-i OP	0	-	0

## Dimensions

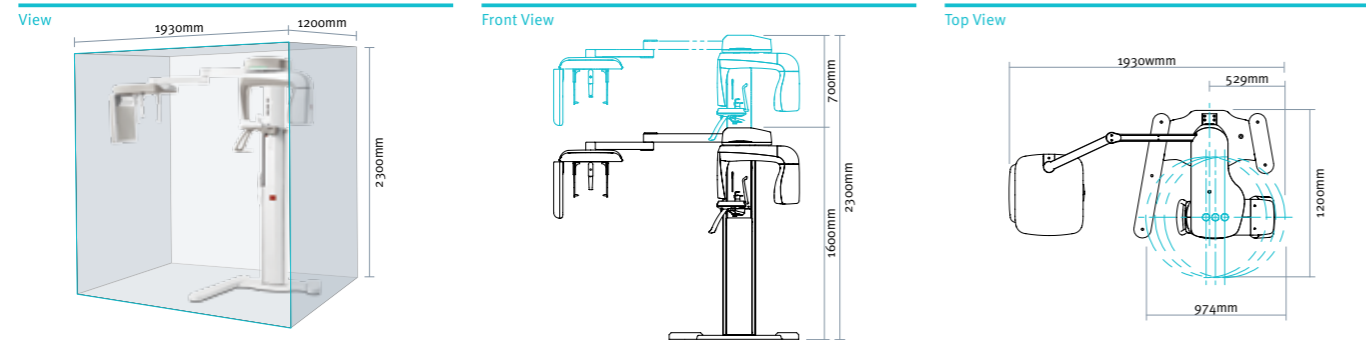
### PaX-i\_ Pano Only



### PaX-i SC\_ Pano/Scan Ceph



### PaX-i OP\_ Pano/One-Shot Ceph



## Specification (PaX-i : PCH-2500)

Function	Panoramic + Cephalometric	Sensor Type	CMOS
Focal Spot	0.5mm	Generator	Voltage : 50~90 kVp / Current : 4~10 mA
Gray Scale	14bit	Weight	PaX-i: (without base) 90kg PaX-i SC: (without base) 120kg PaX-i OP: (without base) 130kg Base: 50kg
Scan Time	Pano: Normal 13.5 sec / Fast 10.1 sec Ceph: Scan 12.9 sec / One-shot 0.9 sec		
Patient Positioning	Standing / Wheel-Chair accessible		

\* The specifications are subject to change without prior notice.

Dental Pioneer  
**VATECH**  
VATECH Global

# PaX-i

Your digital success partner

# Design your success story on digitalization.

PaX-i is affordable and easily accessible diagnostic X-ray imaging equipment developed entirely by VATECH through an innovative technological know-how in order to promote a healthier humanity.



## PaX-i

innovation inside

"i" stands for 'innovation', one of the core values of VATECH, which aims to expand accessibility of medical solutions to more people.

### Technology Inside

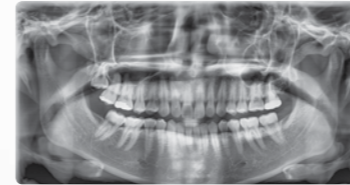
- Superior image quality
- The most stable and secure imaging system
- Various capture modes based on the diagnostic purpose
- Optimal product option for your requirement
- Simple & compact design

### Eco Inside

- PaX-i, the fully digital X-ray imaging solution from VATECH, aimed especially at caring for the environment by providing eco-friendly digitization all over the world.

## Optimal Image Solution for Accurate Dental Diagnosis

PaX-i provides the most precise and high quality panoramic image by innovative imaging process and accumulated experience in dental imaging from VATECH. It always enables you to perform an accurate diagnosis with great satisfaction from patients in your clinic.



- Various capture modes to meet all of diagnostic requirements.
- Capability to choose jaw shape and patient size to capture the most accurate image
- Fast capturing mode, segmented capturing mode, child mode considering reduced X-ray dose & time saving.

Intuitive User Interface & Various Capture Modes

Mode	Detail Description
Standard	Standard, Right, Left, Front
Bitewing	
Orthogonal	
TMJ	PA / Lateral
Sinus	



## Advanced Image Solution for Orthodontist

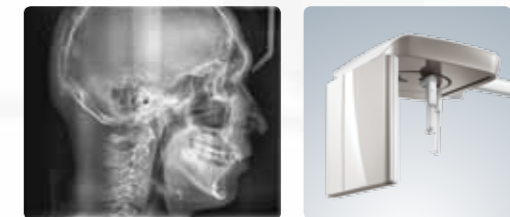
- 2 Built-in sensors for Pano and Ceph ⇒ It allows easy access to Pano / Ceph functions without risk in dropping sensor
- 2 types of Cephalometric on your requirement : One shot / Scan type

Scan Ceph



- The standard diagnosis image for orthodontist
- The stable and affordable imaging solution for orthodontic diagnosis.

One shot Ceph



- Superior image quality with highly sensitive Flat Panel X-ray Detector
- The shortest X-ray exposure : 0.9 sec. with no motion artifact

## PaX-i will bring your dreams come true in Digital Imaging

- EzDent, the PMS stores patients' database together with their images
- Stored images can be viewed and manipulated anywhere within the Practice Network
- Making your consultation with patients more effective and vivid with the function to demonstrate before and after treatment

