



| Technical data | SW-17 | SW-22 | SW-28 |
|----------------------------------|--------------------------------|---------------------|--------------------|
| Power supply voltage | 220/240V 50Hz 220/230V 60Hz | | |
| Rated power | 2300 W | | |
| External dimensions W x H x D | 480 x 500 x 600 mm | | |
| Chamber dimensions Diam. x Depth | 250 x 350 mm | 250 x 450 mm | 280 x 450 mm |
| Total weight | 50 kg | 51 kg | 52 kg |
| Tank capacity | 4.5 litres | | |
| Autonomy (with max. water level) | From 7 to 11 cycles | From 6 to 10 cycles | From 5 to 9 cycles |

| CYCLE | Cycle type | Sterilization time (min.) | SW-17 | SW-22 | SW-28 | Drying * |
|---|------------|---|-------|-------|-------|----------|
| Cycle times including sterilization times, net of drying times (min.) | | | | | | |
| 134 °C UNIVERSAL | B | 4 | 29 | 31 | 39 | 13-17 |
| 121 °C UNIVERSAL | B | 20 | 45 | 48 | 52 | 13-17 |
| 134°C VELOCE | S | 4 | 21 | 24 | 27 | 1 |
| 134 °C WRAPPED SOLID INSTRUMENTS | S | 4 | 20 | 24 | 28 | 13-17 |
| 134 °C PRION | B | 18 | 43 | 45 | 53 | 13-17 |
| XXX °C CUSTOM | S | Cycle can be personalised by user at temperatures 134 °C / 121 °C, process times starting from 4' (134 °C) or 20' (121 °C) with adjustable drying | | | | |
| VACUUM TEST | TEST | | 18 | 18 | 19 | |
| HELIX / B&D TEST | TEST | | 20 | 24 | 28 | |
| VACUUM + HELIX / B&D TEST (executed in sequence) | TEST | | 42 | 46 | 51 | |

* Drying varies according to machine model and volume
 Note: times do not take the max. pre-heating time into account (10 min.).
 Note: times may vary depending on the load and power supply.
 Note: 120 V model times may undergo increments up to a max. of 20%.



Making Your Life Better.

BU Medical Equipment
Sede Legale ed Amministrativa / Headquarters
 CEFLA s.c.
 Via Selice Provinciale, 23/a
 40026 Imola (BO) - Italy
 t. +39 0542 653111
 f. +39 0542 653344
 sternweber@sternweber.com
 sternweber.com

Stabilimento / Plant
 Via Bicocca, 14/C
 40026 Imola (BO) - Italy
 t. +39 0542 653441
 f. +39 0542 653601



03/2021 SSWGB191500

Due to our policy of constant technological upgrading, technical specifications may be subject to change without prior notice. According to the standards in force, in extra-EU areas the availability and specifications of some products and/or characteristics may vary. Please contact your local distributor for further information.

ACCESSIBLE
POWER

STERNWEBER.COM

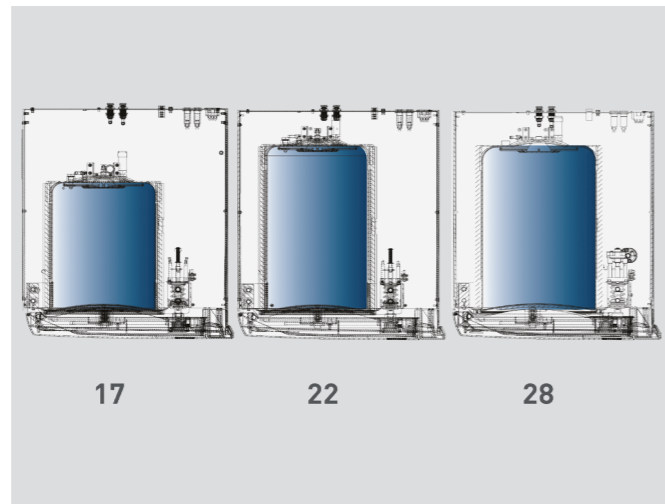


SW-17, SW-22, SW-28





LCD Display
The LCD display with keypad features clear user-friendly icons. The operator's task is made easier and faster thanks to on-display availability of all data. Easy to install, a simple guided procedure aids the initial configuration.



3 volumes, one size
The SW range is available in the 17, 22, and 28-litre versions. Three different capacities to allow users to choose the most suitable machine according to their needs. External dimensions, being the same for the three machines, make installation easier. The 17 and 22 litre models have five trays while the 28-litre model has six.



Water management
The doors on the upper part of the steriliser allow the operator to reach the tanks to fill them with demineralised water and clean them. The in-tank sensor checks water quality and ensures long-lasting machine performance. As an alternative to upper loading, the front quick couplings can be used to empty the tanks and to feed in demineralised water.



DataSter Software for automatic download
Supplied as standard with the machine, DataSter is used to perform the automatic download of cycle reports directly to a network or PC folder. At the end of the cycle, the steriliser sends the PDF file to the selected folder.



User ID
Authorises personnel in charge to get access to the steriliser. By entering a security code (PIN number), operators can keep track of the usage history of the machine while ensuring process control.



Remote technical support with Easy Check
All sterilisers of the SW range are equipped with incorporated Wi-Fi and Ethernet port. Connected to the Internet by enabling the Easy Check service, they can receive remote support. Intervention times can be significantly reduced thereby allowing technicians to keep machines constantly efficient.



Printer
The SW range can be completed with an external printer available as an optional accessory, able to provide reports or bar code labels.



Delayed start
Thanks to the delayed start option it is possible to postpone the start of the machine cycles, thereby optimising its usage.



USB
The cycle reports are saved automatically inside the steriliser's memory. Later on, they can be downloaded through the front USB port. The PDF files can be viewed on any device.



Traceability software
MyTrace is the traceability software available for SW. By using this programme, each set of sterilised instruments can be associated to the patient through a bar code. This essential software completes the sterilisation process and provides legal protection to dentists.



Test reminder
By setting this function on the display, SW will inform the user when a Vacuum Test, Helix Test or Bowie & Dick test must be carried out. Therefore, it will become impossible to forget about these important operations.