

Winterhalter PT-500

Winterhalter presents the PT-500, a new pass-through dishwasher which produces excellent cleaning results quickly and efficiently due to new components and innovations. You can choose one of three programmes depending on the degree of soiling: short, standard and intensive.

The new **elliptical wash fields** with specially developed jets ensure comprehensive washing power, which give brilliant cleaning results throughout the entire machine.

Furthermore the PT-500 is equipped with a **quadruple filtration system**. Food residue and soiling are trapped by the strainer which has a removable sieve.

With **active energy management**, the machine has an hourly capacity of up to 60 racks in the short programme. The available energy can be optimally used to prepare the machine for rapid operation. That e.g. reduces the heating time by up to 50 %.

PT-500 has a **colour coded display** showing the various machine states. Selected washing programmes are also started using the single-button control or automatic hood start.

In addition the PT-500 has numerous **control functions** which further reduces staff workload. Tank and boiler temperatures can be shown on the display at any time. Simple symbols warn the personnel when there is a lack of **detergent and rinse aid**. A leak sensor monitors uncontrolled water outflows and shuts off the machine's water inlet. Thus PT-500 guarantees process reliability and prevents resulting damage.

Features:

- Active energy management
- Elliptical wash fields with special jet geometry
- Filtration system with sieve, strainer, pump inlet filter and Mediamat
- Integrated rinse aid dosing device
- Electronic control unit with a colour-coded display
- 3 washing programmes (short, standard and intensive)
- Washing programme adjustment via parameters
- Display of tank and boiler temperatures
- Self-cleaning programme
- Detergent container empty indicator (with integrated detergent dosing device only)
- Rinse aid container empty indicator
- Lack of salt error message (with integrated softener only)
- PIN-protected chef level and service technician level
- Integrated error logbook
- Hood with lock position
- Automatic hood start
- Thermostop for hygienic safety
- Drain pump
- Rinse booster pump
- Leak sensor
- Multiphasing
- Stainless steel rear cover
- Transfer strip for external dosing devices
- Multifunctional output as an interface to external devices
- Deep-drawn hygienic tank, hygiene tank heater, hygienic rack guide



Your benefits:

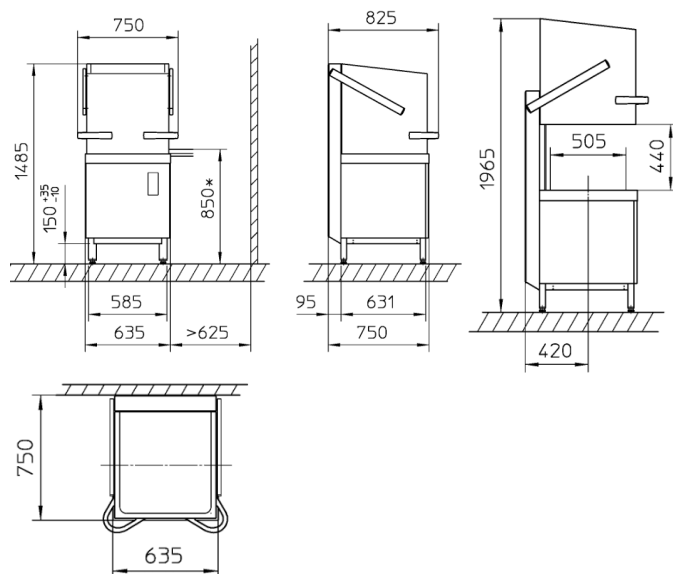
- Reduced operating costs
- Far shorter heating times
- Comprehensive washing power
- Effective quadruple filtration system
- Self-explanatory operation
- Labour-saving control functions
- Workload-reducing hygiene concept

Options:

- Integrated detergent dosing device
- Integrated softener
- HighTemp version
- TwinSet (combination of two PT-500 machines)
- Low temperature warewashing system effect for glasses*
- Low temperature warewashing system effect for dishes*
- Feet extension (50 mm / 100 mm)

* Not available in all markets

Winterhalter PT-500



Dimensions

Width x depth:	635 x 750 mm
Height hood closed:	1,485 mm
Height hood open:	1,965 mm
Rack dimensions:	500 x 500 mm
Clear entry height:	440 mm
Water connection:	G 3/4"
Waste water connection:	18.5 / 22.2 / 39.7 mm (graduated connection)

General data

Weight (net / gross):	103 / 128 kg
Tank capacity:	35 l
Circulating pump:	210 l/min
Noise emission:	< 66 dB(A)
Splash guard:	IPX5

Max. theoretical capacity

Short / standard/ intensive programme: 60 / 30 / 15 racks/h

Cycle duration

60 – 240 sec.

Rinse water consumption

2.4 l per rack

Water connection

Flow pressure:	1.0 bar
Flow rate:	mind. 4 l/min
Water inlet temp.:	max. 60 °C

Thermal radiation

Sensitive / latent:	0.8 / 0.3 kW
Sensitive / latent HighTemp:	1.0 / 0.3 kW

Extraction

Cubic metres/h:	23
Relative humidity:	100 %
Temperature:	60 °C
Temperature HighTemp:	66 °C

Marks of conformity

CB, SVGW, WRAS

Weight pressure point per foot

36 kg

Electrical specifications

Voltage	Fuse protection	Total connected load with	
		6.4 kW boiler heating element	10.8 kW boiler heating element
380 V / 3 N~ / 50 – 60 Hz	16 A	7.1 kW	8.3 kW
	16 A	7.9 kW	9.1 kW
	32 A	10.2 kW	13.2 kW
400 V / 3 N~ / 50 – 60 Hz	32 A	–	14.7 kW
	15 A	6.9 kW	9.5 kW
	16 A / 20 A	8.4 kW	9.7 kW
415 V / 3 N~ / 50 – 60 Hz	25 A	10.9 kW	14.2 kW
	32 A	–	15.7 kW
	25 A	6.6 kW	7.1 kW
200 V / 3 N~ / 50 – 60 Hz	32 A	8.0 kW	8.1 kW
	25 A	7.8 kW	–
230 V / 3 N~ / 50 – 60 Hz	32 A	10.1 kW	–
	50 A	–	14.5 kW
	32 A	6.9 kW	–
230 V / 1 N~ / 50 – 60 Hz	25 A	5.1 kW	–
	32 A	6.8 kW	–
240 V / 1 N~ / 50 – 60 Hz	40 A	8.4 kW	–
	50 A	10.9 kW	–
	32 A	–	–