



# MAXI

**Celle Frigorifere Modulari  
Modular Cold and Freezer Rooms**

**New**



**2013**

**LISTINO PREZZI  
PRICE LIST**

**IT EN**

[WWW.JKS-REFRIGERATION.COM](http://WWW.JKS-REFRIGERATION.COM)



Prodotti Italiani - Italian Products



Nessun limite al freddo  
*No limits to cold*

## Indice - Index - Index - Verzeichnis

**MAXI**

Caratteristiche tecniche - *Technical features*

**6**  
cm

Listino prezzi spessore isolamento 6 cm - *Price list for Insulation Thickness 6 cm*

**8**  
cm

Listino prezzi spessore isolamento 8 cm - *Price list for Insulation Thickness 8 cm*

**10**  
cm

Listino prezzi spessore isolamento 10 cm - *Price list for Insulation Thickness 10 cm*

**14**  
cm

Listino prezzi spessore isolamento 14 cm - *Price list for Insulation Thickness 14 cm*

Listino prezzi componenti - *Price list for components*

SCAFFALATURA - *SHELVES*

ACCESSORI - *ACCESSORIES*

CONDIZIONI GENERALI DI VENDITA - *GENERAL SALES CONDITIONS*



## LA SOCIETA'

**JKS Refrigeration S.r.l.** e' una Azienda Italiana in forte espansione che opera dal 2006 nel settore delle Celle Frigorifere e della Refrigerazione.

Grazie alla moltitudine di prodotti dedicati alla refrigerazione, **JKS** e' in grado di soddisfare qualsiasi richiesta dei suoi Clienti, dalla Cella compatta MINI fino ad i pannelli semi-industriali per la refrigerazione di grandi magazzini.

I Prodotti **JKS** sono conosciuti ed apprezzati dal mercato italiano ed internazionale.

**JKS-Refrigeration S.r.l.**, vanta l'esportazione dei suoi prodotti in almeno 40 paesi nel mondo, accrescendo il suo consenso e la sua conoscenza in un mercato in forte espansione.

**AZIENDA CERTIFICATA ISO: 9008**

[www.jks-refrigeration.it](http://www.jks-refrigeration.it)

*Le froid sans limite  
Kein Limit für die kalte*

# MAXI

**Celle Frigorifere Modulari  
Modular Cold and Freezer Rooms**

pagina - page

04

12

40

68

96

124

134

135

136

## THE COMPANY

**JKS Refrigeration S.r.l.** is a fast growing Company operating in the Cold Rooms and Refrigeration market since 2006.

With our wide range of refrigerated solutions **JKS Refrigeration S.r.l.** is able to cover all our customers needs, from the Mini Cold Room to the semi- industrial panels for large refrigerated warehouses.

**JKS** products are now well known and appreciated by the Italian and international market.

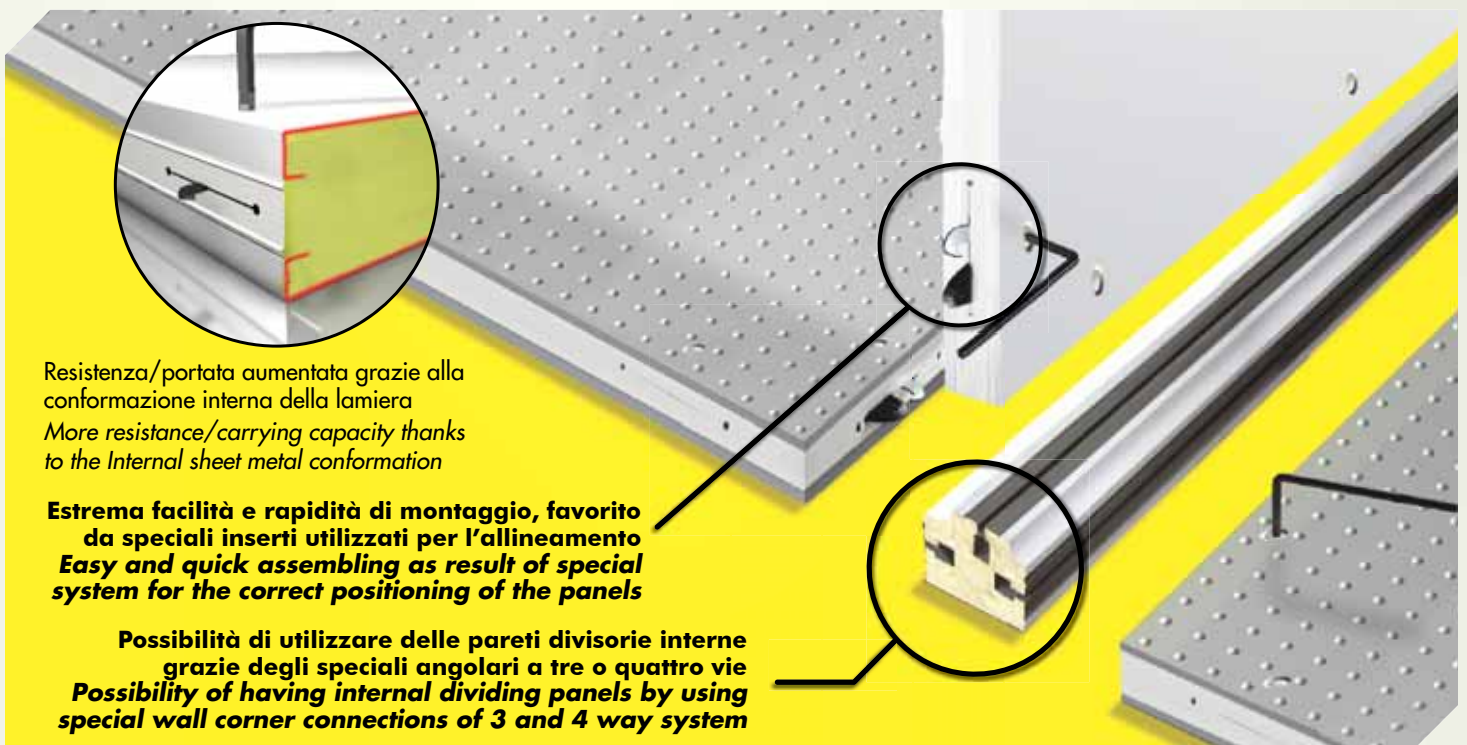
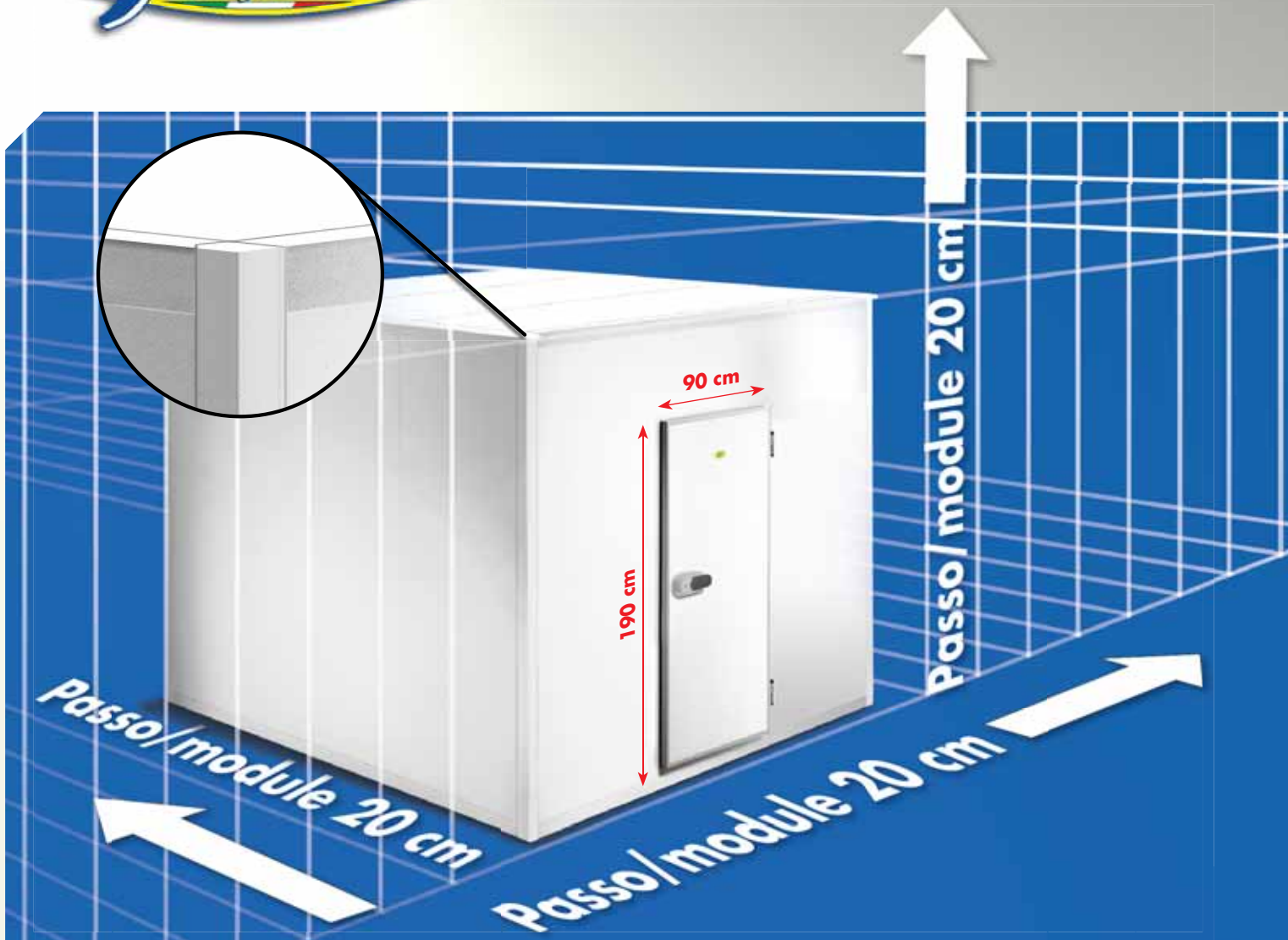
**JKS Refrigeration S.r.l.** exports its products to 40 different countries all over the World, increasing its success and knowledge in the nowadays fast growing market.

**CERTIFIED COMPANY ISO: 9008**





Nessun limite al freddo  
*No limits to cold*





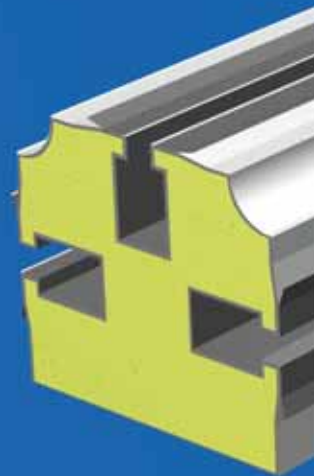
## Angolari Corner connections

### Nuova tecnologia per JKS New technology for JKS



Le celle modello **MAXI** interpretano in maniera moderna le esigenze del mercato attuale in quanto offrono: angolari (a due, tre o quattro vie) in lamiera preverniciata preformati, con angoli interni arrotondati in conformità delle normative internazionali di igiene.

**MAXI** line cold and freezer rooms represent the answer to current market request thanks to its modern technology: Pre-painted and prearranged corner connections (2-3-4 way system) with rounded corners in compliance with international sanitary regulations.



ANGOLARI ORIZZONTALI SENZA TAPPI  
HORIZONTAL CORNER  
CONNECTIONS WITHOUT LIDS



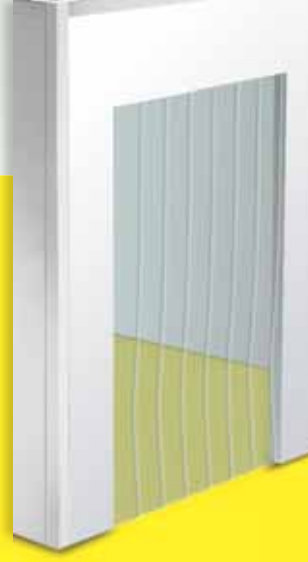
## ***Freddo modulare! Modular cold!***



Porta a battente  
*Hinged door*



Porta scorrevole  
*Sliding door*



Porta a bandelle  
*PVC stripped curtains*



Porta a battente con oblò  
*Surround door with porthole*



**Porte di varie dimensioni dotate, nel caso delle celle negative, di resistenza anticondensa.**

Possibilità di poter usufruire di tutta una serie di accessori quali: rampe, tende a striscie, veli d'aria, foro passaggio guidovia, gancere, valvole di compensazione, illuminazione interna

***Doors of different dimensions, with anti-condensing heater on negative versions.***

*Availability of a complete range of accessories: platforms, strip curtains, compensating valves, air curtains, internal lighting, meat hooks, entry for rail.*







**SENZA PAVIMENTO - WITHOUT FLOOR**  
**H INT. 261 cm / H EXT. 275 cm**

**MAXI 14**

**SENZA PAVIMENTO WITHOUT FLOOR**  
**SPESSORE - THICKNESS 14 cm**

MISURE DIMENSIONS	cm	INT. 122 EXT. 150	INT. 142 EXT. 170	INT. 162 EXT. 190	INT. 182 EXT. 210	INT. 202 EXT. 230	INT. 222 EXT. 250	INT. 242 EXT. 270	INT. 262 EXT. 290	INT. 282 EXT. 310	INT. 302 EXT. 330	INT. 322 EXT. 350	INT. 342 EXT. 370
INT. 122	€	3172											
EXT. 150	mc	3,74											
INT. 142	€	3506											
EXT. 170	mc	4,37											
INT. 162	€	3622	4029	4161									
EXT. 190	mc	4,99	5,82	6,66									
INT. 182	€	3753	4168	4295	4457								
EXT. 210	mc	5,62	6,55	7,49	8,42								
INT. 202	€	3886	4302	4438	4600	4730							
EXT. 230	mc	6,24	7,28	8,32	9,36	10,40							
INT. 222	€	4011	4431	4568	4735	4868	5009						
EXT. 250	mc	6,86	8,01	9,15	10,30	11,44	12,58						
INT. 242	€	4116	4534	4682	4853	4988	5134	5254					
EXT. 270	mc	7,49	8,74	9,98	11,23	12,48	13,73	14,98					
INT. 262	€	4436	4952	5013	5186	5322	5470	5591	6044				
EXT. 290	mc	8,11	9,46	10,82	12,17	13,52	14,87	16,22	17,58				
INT. 282	€	4551	5057	5135	5309	5456	5605	5736	6186	6320			
EXT. 310	mc	8,74	10,19	11,65	13,10	14,56	16,02	17,47	18,93	20,38			
INT. 302	€	4686	5200	5280	5457	5606	5756	5890	6348	6484	6648		
EXT. 330	mc	9,36	10,92	12,48	14,04	15,60	17,16	18,72	20,28	21,84	23,40		
INT. 322	€	4788	5303	5422	5591	5736	5880	6010	6511	6644	6800	6931	
EXT. 350	mc	9,98	11,65	13,31	14,98	16,64	18,30	19,97	21,63	23,30	24,96	26,62	
INT. 342	€	5068	5460	5633	5813	5963	6126	6272	6625	6789	6960	7102	7562
EXT. 370	mc	10,61	12,38	14,14	15,91	17,68	19,45	21,22	22,98	24,75	26,52	28,29	30,06
INT. 362	€	5185	5580	5755	5941	6094	6261	6409	6763	6938	7111	7249	7714
EXT. 390	mc	11,23	13,10	14,98	16,85	18,72	20,59	22,46	24,34	26,21	28,08	29,95	31,82
INT. 382	€	5598	6008	6198	6380	6540	6710	6864	7227	7398	7580	7760	8078
EXT. 410	mc	11,86	13,83	15,81	17,78	19,76	21,74	23,71	25,69	27,66	29,64	31,62	33,59
INT. 402	€	5713	6126	6319	6507	6669	6842	6999	7363	7545	7729	7906	8228
EXT. 430	mc	12,48	14,56	16,64	18,72	20,80	22,88	24,96	27,04	29,12	31,20	33,28	35,36
INT. 422	€	5852	6269	6465	6655	6819	6997	7157	7524	7706	7892	8062	8404
EXT. 450	mc	13,10	15,29	17,47	19,66	21,84	24,02	26,21	28,39	30,58	32,76	34,94	37,13
INT. 442	€	5956	6376	6575	6771	6938	7119	7281	7649	7842	8030	8197	8553
EXT. 470	mc	13,73	16,02	18,30	20,59	22,88	25,17	27,46	29,74	32,03	34,32	36,61	38,90
INT. 462	€	6079	6501	6704	6903	7071	7256	7423	7792	7987	8177	8337	8714
EXT. 490	mc	14,35	16,74	19,14	21,53	23,92	26,31	28,70	31,10	33,49	35,88	38,27	40,66
INT. 482	€	6178	6605	6810	7015	7186	7374	7543	7914	8119	8311	8467	8859
EXT. 510	mc	14,98	17,47	19,97	22,46	24,96	27,46	29,95	32,45	34,94	37,44	39,94	42,43
INT. 502	€	6581	7022	7242	7443	7620	7812	7987	8367	8568	8769	8968	9212
EXT. 530	mc	15,60	18,20	20,80	23,40	26,00	28,60	31,20	33,80	36,40	39,00	41,60	44,20
INT. 522	€	6685	7129	7351	7559	7739	7934	8111	8493	8704	8907	9103	9350
EXT. 550	mc	16,22	18,93	21,63	24,34	27,04	29,74	32,45	35,15	37,86	40,56	43,26	45,97
INT. 542	€	6822	7270	7496	7705	7887	8086	8267	8651	8863	9069	9257	9542
EXT. 570	mc	16,85	19,66	22,46	25,27	28,08	30,89	33,70	36,50	39,31	42,12	44,93	47,74
INT. 562	€	6924	7375	7603	7819	8004	8206	8390	8774	8997	9205	9390	9707
EXT. 590	mc	17,47	20,38	23,30	26,21	29,12	32,03	34,94	37,86	40,77	43,68	46,59	49,50
INT. 582	€	7051	7505	7737	7955	8141	8347	8535	8922	9146	9356	9533	9866
EXT. 610	mc	18,10	21,11	24,13	27,14	30,16	33,18	36,19	39,21	42,22	45,24	48,26	51,27
INT. 602	€	7155	7612	7847	8071	8260	8469	8660	9047	9282	9494	9668	10009
EXT. 630	mc	18,72	21,84	24,96	28,08	31,20	34,32	37,44	40,56	43,68	46,80	49,92	53,04
INT. 622	€	7553	8025	8275	8495	8690	8903	9099	9497	9727	9947	10164	10365
EXT. 650	mc	19,34	22,57	25,79	29,02	32,24	35,46	38,69	41,91	45,14	48,36	51,58	54,81
INT. 642	€	7653	8128	8380	8606	8805	9021	9220	9618	9859	10081	10295	10506
EXT. 670	mc	19,97	23,30	26,62	29,95	33,28	36,61	39,94	43,26	46,59	49,92	53,25	56,58

**ATTENZIONE!** Prevedere dispositivi adeguati a sostegno del soffitto se soggetto a carichi extra come ad esempio: monoblocchi, evaporatori, gancere ecc. In fase di manutenzione operare sul soffitto solo in sicurezza senza sovraccaricarlo.  
**ATTENTION:** it is necessary to consider suitable supports on the ceiling, if there are extra devices to load: such as monoblocks, evaporators, meat hook. During the maintenance operations, it is important to proceed with safety, without overloading the ceiling.







**CON PAVIMENTO - WITH FLOOR**  
**H INT. 282 cm / H EXT. 310 cm**

**MAXI 14**

**CON PAVIMENTO WITH FLOOR**  
**SPESORE - THICKNESS 14 cm**

MISURE DIMENSIONS	cm	INT. 122 EXT. 150	INT. 142 EXT. 170	INT. 162 EXT. 190	INT. 182 EXT. 210	INT. 202 EXT. 230	INT. 222 EXT. 250	INT. 242 EXT. 270	INT. 262 EXT. 290	INT. 282 EXT. 310	INT. 302 EXT. 330	INT. 322 EXT. 350	INT. 342 EXT. 370
INT. 122	€	3804											
EXT. 150	mc	4,03											
INT. 142	€	4205											
EXT. 170	mc	4,70											
INT. 162	€	4389	4852	5052									
EXT. 190	mc	5,38	6,27	7,17									
INT. 182	€	4556	5085	5215	5498								
EXT. 210	mc	6,05	7,06	8,06	9,07								
INT. 202	€	4761	5290	5421	5717	5936							
EXT. 230	mc	6,72	7,84	8,96	10,08	11,20							
INT. 222	€	4931	5525	5596	5907	6134	6433						
EXT. 250	mc	7,39	8,62	9,86	11,09	12,32	13,55						
INT. 242	€	5093	5685	5766	6095	6325	6642	6843					
EXT. 270	mc	8,06	9,41	10,75	12,10	13,44	14,78	16,13					
INT. 262	€	5472	6167	6159	6501	6736	7065	7270	7747				
EXT. 290	mc	8,74	10,19	11,65	13,10	14,56	16,02	17,47	18,93				
INT. 282	€	5663	6332	6341	6693	6959	7298	7533	7972	8212			
EXT. 310	mc	9,41	10,98	12,54	14,11	15,68	17,25	18,82	20,38	21,95			
INT. 302	€	5726	6554	6514	6879	7056	7409	7557	8192	8344	8684		
EXT. 330	mc	10,08	11,76	13,44	15,12	16,80	18,48	20,16	21,84	23,52	25,20		
INT. 322	€	5971	6714	6732	7096	7354	7704	7933	8462	8694	9032	9261	
EXT. 350	mc	10,75	12,54	14,34	16,13	17,92	19,71	21,50	23,30	25,09	26,88	28,67	
INT. 342	€	6468	7004	7319	7590	7865	8132	8392	8862	9168	9239	9666	10539
EXT. 370	mc	11,42	13,33	15,23	17,14	19,04	20,94	22,85	24,75	26,66	28,56	30,46	32,37
INT. 362	€	6657	7199	7516	7802	8088	8364	8626	9101	9438	9421	9929	10826
EXT. 390	mc	12,10	14,11	16,13	18,14	20,16	22,18	24,19	26,21	28,22	30,24	32,26	34,27
INT. 382	€	7128	7702	8033	8300	8576	8848	9115	9599	9898	10078	10479	11312
EXT. 410	mc	12,77	14,90	17,02	19,15	21,28	23,41	25,54	27,66	29,79	31,92	34,05	36,18
INT. 402	€	7312	7892	8226	8508	8795	9076	9346	9834	10164	10255	10737	11587
EXT. 430	mc	13,44	15,68	17,92	20,16	22,40	24,64	26,88	29,12	31,36	33,60	35,84	38,08
INT. 422	€	7524	8114	8470	8766	9065	9362	9649	10151	10490	10595	11075	11842
EXT. 450	mc	14,11	16,46	18,82	21,17	23,52	25,87	28,22	30,58	32,93	35,28	37,63	39,98
INT. 442	€	7687	8283	8642	8953	9263	9568	9859	10364	10734	10751	11312	12114
EXT. 470	mc	14,78	17,25	19,71	22,18	24,64	27,10	29,57	32,03	34,50	36,96	39,42	41,89
INT. 462	€	7903	8510	8891	9214	9537	9858	10167	10685	11064	11095	11654	12369
EXT. 490	mc	15,46	18,03	20,61	23,18	25,76	28,34	30,91	33,49	36,06	38,64	41,22	43,79
INT. 482	€	8058	8670	9055	9392	9726	10055	10368	10890	11300	11243	11882	12628
EXT. 510	mc	16,13	18,82	21,50	24,19	26,88	29,57	32,26	34,94	37,63	40,32	43,01	45,70
INT. 502	€	8508	9152	9550	9869	10193	10518	10835	11367	11739	11878	12411	13099
EXT. 530	mc	16,80	19,60	22,40	25,20	28,00	30,80	33,60	36,40	39,20	42,00	44,80	47,60
INT. 522	€	8671	9321	9722	10056	10391	10725	11044	11581	11983	12034	12648	13359
EXT. 550	mc	17,47	20,38	23,30	26,21	29,12	32,03	34,94	37,86	40,77	43,68	46,59	49,50
INT. 542	€	8878	9539	9962	10309	10656	11006	11344	11893	12305	12370	12982	13648
EXT. 570	mc	18,14	21,17	24,19	27,22	30,24	33,26	36,29	39,31	42,34	45,36	48,38	51,41
INT. 562	€	9038	9704	10130	10492	10850	11208	11549	12102	12545	12522	13215	13954
EXT. 590	mc	18,82	21,95	25,09	28,22	31,36	34,50	37,63	40,77	43,90	47,04	50,18	53,31
INT. 582	€	9262	9938	10387	10762	11132	11506	11865	12432	12884	12875	13565	14038
EXT. 610	mc	19,49	22,74	25,98	29,23	32,48	35,73	38,98	42,22	45,47	48,72	51,97	55,22
INT. 602	€	9425	10107	10559	10949	11330	11713	12075	12645	13129	13031	13802	14126
EXT. 630	mc	20,16	23,52	26,88	30,24	33,60	36,96	40,32	43,68	47,04	50,40	53,76	57,12
INT. 622	€	9866	10581	11045	11417	11789	12167	12534	13114	13559	13658	14323	14763
EXT. 650	mc	20,83	24,30	27,78	31,25	34,72	38,19	41,66	45,14	48,61	52,08	55,55	59,02
INT. 642	€	10021	10741	11209	11596	11978	12365	12734	13319	13795	13805	14551	15190
EXT. 670	mc	21,50	25,09	28,67	32,26	35,84	39,42	43,01	46,59	50,18	53,76	57,34	60,93

**ATTENZIONE!** Prevedere dispositivi adeguati a sostegno del soffitto se soggetto a carichi extra come ad esempio: monoblocchi, evaporatori, gancere ecc. In fase di manutenzione operare sul soffitto solo in sicurezza senza sovraccaricarlo.  
**ATTENTION:** it is necessary to consider suitable supports on the ceiling, if there are extra devices to load: such as monoblocks, evaporators, meat hook. During the maintenance operations, it is important to proceed with safety, without overloading the ceiling.





**SENZA PAVIMENTO - WITHOUT FLOOR**  
**H INT. 281 cm / H EXT. 295 cm**

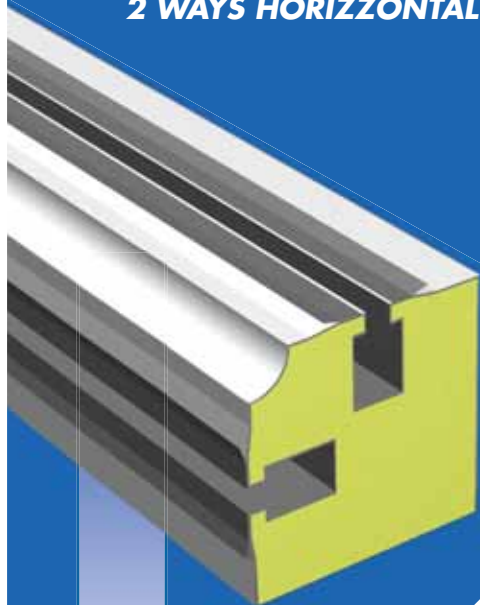
**MAXI 14**

**SENZA PAVIMENTO  
 WITHOUT FLOOR  
 SPESSORE - THICKNESS 14 cm**

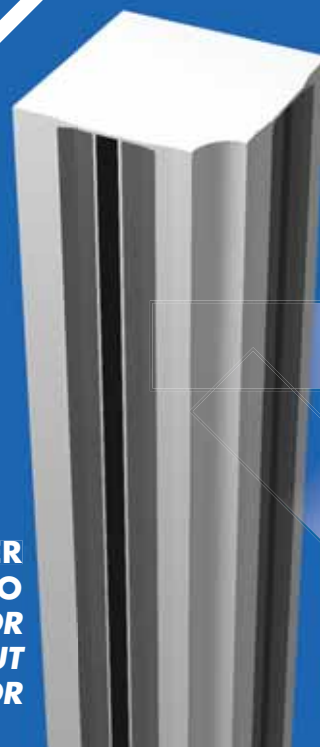
MISURE DIMENSIONS	cm	INT. 122 EXT. 150	INT. 142 EXT. 170	INT. 162 EXT. 190	INT. 182 EXT. 210	INT. 202 EXT. 230	INT. 222 EXT. 250	INT. 242 EXT. 270	INT. 262 EXT. 290	INT. 282 EXT. 310	INT. 302 EXT. 330	INT. 322 EXT. 350	INT. 342 EXT. 370
INT. 122	€	3334											
EXT. 150	mc	4,03											
INT. 142	€	3684											
EXT. 170	mc	4,70											
INT. 162	€	3821	4245	4399									
EXT. 190	mc	5,38	6,27	7,17									
INT. 182	€	3931	4362	4511	4649								
EXT. 210	mc	6,05	7,06	8,06	9,07								
INT. 202	€	4084	4516	4674	4813	4964							
EXT. 230	mc	6,72	7,84	8,96	10,08	11,20							
INT. 222	€	4210	4648	4806	4950	5104	5247						
EXT. 250	mc	7,39	8,62	9,86	11,09	12,32	13,55						
INT. 242	€	4337	4772	4941	5089	5245	5393	5534					
EXT. 270	mc	8,06	9,41	10,75	12,10	13,44	14,78	16,13					
INT. 262	€	4674	5207	5289	5439	5596	5746	5888	6359				
EXT. 290	mc	8,74	10,19	11,65	13,10	14,56	16,02	17,47	18,93				
INT. 282	€	4811	5333	5432	5583	5751	5902	6055	6521	6677			
EXT. 310	mc	9,41	10,98	12,54	14,11	15,68	17,25	18,82	20,38	21,95			
INT. 302	€	4922	5452	5554	5708	5878	6031	6186	6661	6818	6958		
EXT. 330	mc	10,08	11,76	13,44	15,12	16,80	18,48	20,16	21,84	23,52	25,20		
INT. 322	€	5046	5577	5717	5863	6030	6175	6327	6844	6999	7131	7283	
EXT. 350	mc	10,75	12,54	14,34	16,13	17,92	19,71	21,50	23,30	25,09	26,88	28,67	
INT. 342	€	5327	5736	5931	6087	6258	6424	6591	6960	7146	7294	7457	7919
EXT. 370	mc	11,42	13,33	15,23	17,14	19,04	20,94	22,85	24,75	26,66	28,56	30,46	32,37
INT. 362	€	5465	5878	6074	6237	6411	6580	6749	7120	7316	7466	7626	8092
EXT. 390	mc	12,10	14,11	16,13	18,14	20,16	22,18	24,19	26,21	28,22	30,24	32,26	34,27
INT. 382	€	5896	6323	6534	6692	6873	7045	7221	7601	7793	7952	8154	8473
EXT. 410	mc	12,77	14,90	17,02	19,15	21,28	23,41	25,54	27,66	29,79	31,92	34,05	36,18
INT. 402	€	6032	6462	6675	6840	7024	7199	7377	7758	7961	8122	8320	8644
EXT. 430	mc	13,44	15,68	17,92	20,16	22,40	24,64	26,88	29,12	31,36	33,60	35,84	38,08
INT. 422	€	6148	6581	6799	6966	7151	7330	7512	7895	8099	8262	8453	8798
EXT. 450	mc	14,11	16,46	18,82	21,17	23,52	25,87	28,22	30,58	32,93	35,28	37,63	39,98
INT. 442	€	6273	6710	6930	7103	7291	7474	7657	8042	8257	8421	8610	8968
EXT. 470	mc	14,78	17,25	19,71	22,18	24,64	27,10	29,57	32,03	34,50	36,96	39,42	41,89
INT. 462	€	6397	6837	7061	7237	7426	7613	7801	8188	8403	8570	8751	9130
EXT. 490	mc	15,46	18,03	20,61	23,18	25,76	28,34	30,91	33,49	36,06	38,64	41,22	43,79
INT. 482	€	6518	6961	7188	7369	7562	7752	7942	8330	8556	8725	8903	9297
EXT. 510	mc	16,13	18,82	21,50	24,19	26,88	29,57	32,26	34,94	37,63	40,32	43,01	45,70
INT. 502	€	6938	7396	7637	7815	8013	8207	8403	8801	9023	9200	9420	9667
EXT. 530	mc	16,80	19,60	22,40	25,20	28,00	30,80	33,60	36,40	39,20	42,00	44,80	47,60
INT. 522	€	7064	7525	7768	7952	8154	8350	8549	8947	9180	9360	9576	9826
EXT. 550	mc	17,47	20,38	23,30	26,21	29,12	32,03	34,94	37,86	40,77	43,68	46,59	49,50
INT. 542	€	7177	7641	7889	8075	8278	8479	8682	9082	9316	9498	9707	9995
EXT. 570	mc	18,14	21,17	24,19	27,22	30,24	33,26	36,29	39,31	42,34	45,36	48,38	51,41
INT. 562	€	7301	7768	8018	8210	8416	8620	8825	9227	9471	9655	9861	10181
EXT. 590	mc	18,82	21,95	25,09	28,22	31,36	34,50	37,63	40,77	43,90	47,04	50,18	53,31
INT. 582	€	7429	7900	8154	8348	8555	8764	8973	9377	9622	9808	10007	10342
EXT. 610	mc	19,49	22,74	25,98	29,23	32,48	35,73	38,98	42,22	45,47	48,72	51,97	55,22
INT. 602	€	7555	8028	8284	8485	8696	8907	9119	9523	9779	9968	10163	10506
EXT. 630	mc	20,16	23,52	26,88	30,24	33,60	36,96	40,32	43,68	47,04	50,40	53,76	57,12
INT. 622	€	7970	8459	8730	8926	9143	9358	9575	9990	10242	10438	10676	10879
EXT. 650	mc	20,83	24,30	27,78	31,25	34,72	38,19	41,66	45,14	48,61	52,08	55,55	59,02
INT. 642	€	8091	8583	8856	9059	9279	9497	9717	10132	10395	10593	10828	11042
EXT. 670	mc	21,50	25,09	28,67	32,26	35,84	39,42	43,01	46,59	50,18	53,76	57,34	60,93

**ATTENZIONE!** Prevedere dispositivi adeguati a sostegno del soffitto se soggetto a carichi extra come ad esempio: monoblocchi, evaporatori, gancere ecc. In fase di manutenzione operare sul soffitto solo in sicurezza senza sovraccaricarlo.  
**ATTENTION:** it is necessary to consider suitable supports on the ceiling, if there are extra devices to load: such as monoblocks, evaporators, meat hook. During the maintenance operations, it is important to proceed with safety, without overloading the ceiling.

**ANGOLARI ORIZZONTALI A 2 VIE**  
**2 WAYS HORIZONTAL EDGES**



**ANGOLARI VERTICALI A 2 VIE PER**  
**CELLE CON E SENZA PAVIMENTO**  
**2 WAYS VERTICAL EDGES FOR**  
**COLD ROOMS WITH AND WITHOUT**  
**FLOOR**



**ANGOLARI ORIZZONTALI A 2 VIE - 2 WAYS HORIZONTAL EDGES**

LUNGHEZZA LENGTH	SPESSORE - THICKNESS							
	6 cm		8 cm		10 cm		14 cm	
	CODICE CODE	PREZZO PRICE	CODICE CODE	PREZZO PRICE	CODICE CODE	PREZZO PRICE	CODICE CODE	PREZZO PRICE

80 cm	MAH02L08T06	<b>25 €</b>	MAH02L08T08	<b>28 €</b>	MAH02L08T10	<b>29 €</b>	MAH02L08T14	<b>37 €</b>
100 cm	MAH02L10T06	<b>31 €</b>	MAH02L10T08	<b>35 €</b>	MAH02L10T10	<b>36 €</b>	MAH02L10T14	<b>46 €</b>
120 cm	MAH02L12T06	<b>36 €</b>	MAH02L12T08	<b>40 €</b>	MAH02L12T10	<b>42 €</b>	MAH02L12T14	<b>53 €</b>
140 cm	MAH02L14T06	<b>40 €</b>	MAH02L14T08	<b>45 €</b>	MAH02L14T10	<b>48 €</b>	MAH02L14T14	<b>59 €</b>
160 cm	MAH02L16T06	<b>44 €</b>	MAH02L16T08	<b>48 €</b>	MAH02L16T10	<b>52 €</b>	MAH02L16T14	<b>65 €</b>
180 cm	MAH02L18T06	<b>52 €</b>	MAH02L18T08	<b>56 €</b>	MAH02L18T10	<b>62 €</b>	MAH02L18T14	<b>78 €</b>
200 cm	MAH02L20T06	<b>59 €</b>	MAH02L20T08	<b>64 €</b>	MAH02L20T10	<b>70 €</b>	MAH02L20T14	<b>89 €</b>
220 cm	MAH02L22T06	<b>64 €</b>	MAH02L22T08	<b>69 €</b>	MAH02L22T10	<b>75 €</b>	MAH02L22T14	<b>96 €</b>
240 cm	MAH02L24T06	<b>67 €</b>	MAH02L24T08	<b>72 €</b>	MAH02L24T10	<b>80 €</b>	MAH02L24T14	<b>100 €</b>
260 cm	MAH02L26T06	<b>72 €</b>	MAH02L26T08	<b>78 €</b>	MAH02L26T10	<b>85 €</b>	MAH02L26T14	<b>106 €</b>
280 cm	MAH02L28T06	<b>76 €</b>	MAH02L28T08	<b>81 €</b>	MAH02L28T10	<b>89 €</b>	MAH02L28T14	<b>112 €</b>
300 cm	MAH02L30T06	<b>81 €</b>	MAH02L30T08	<b>86 €</b>	MAH02L30T10	<b>97 €</b>	MAH02L30T14	<b>118 €</b>
320 cm	MAH02L32T06	<b>83 €</b>	MAH02L32T08	<b>89 €</b>	MAH02L32T10	<b>102 €</b>	MAH02L32T14	<b>122 €</b>

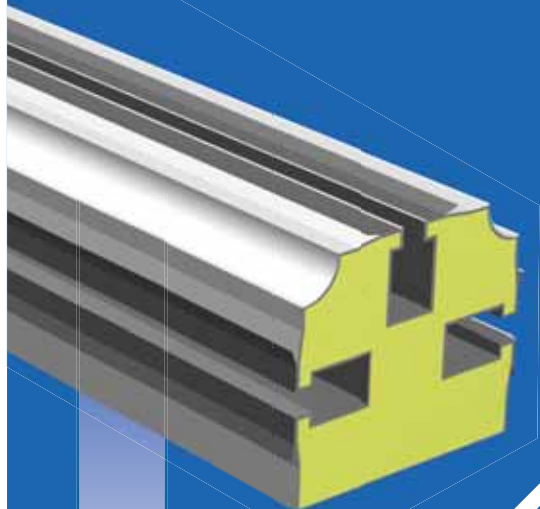
## ANGOLARI VERTICALI A 2 VIE PER CELLE CON PAVIMENTO 2 WAYS VERTICAL EDGES FOR COLD ROOMS WITH FLOOR

LUNGHEZZA LENGTH	SPESSORE - THICKNESS							
	6 cm		8 cm		10 cm		14 cm	
	CODICE CODE	PREZZO PRICE	CODICE CODE	PREZZO PRICE	CODICE CODE	PREZZO PRICE	CODICE CODE	PREZZO PRICE
214 cm	MAV02L200T06	64 €	-	-	-	-	-	-
234 cm	MAV02L220T06	69 €	-	-	-	-	-	-
254 cm	MAV02L240T06	72 €	-	-	-	-	-	-
274 cm	MAV02L260T06	78 €	-	-	-	-	-	-
294 cm	MAV02L280T06	81 €	-	-	-	-	-	-
314 cm	MAV02L300T06	83 €	-	-	-	-	-	-
334 cm	MAV02L320T06	85 €	-	-	-	-	-	-
218 cm	-	-	MAV02L200T08	69 €	-	-	-	-
238 cm	-	-	MAV02L220T08	73 €	-	-	-	-
258 cm	-	-	MAV02L240T08	78 €	-	-	-	-
278 cm	-	-	MAV02L260T08	82 €	-	-	-	-
298 cm	-	-	MAV02L280T08	86 €	-	-	-	-
318 cm	-	-	MAV02L300T08	90 €	-	-	-	-
338 cm	-	-	MAV02L320T08	93 €	-	-	-	-
222 cm	-	-	-	-	MAV02L200T10	79 €	-	-
242 cm	-	-	-	-	MAV02L220T10	84 €	-	-
262 cm	-	-	-	-	MAV02L240T10	89 €	-	-
282 cm	-	-	-	-	MAV02L260T10	95 €	-	-
302 cm	-	-	-	-	MAV02L280T10	101 €	-	-
322 cm	-	-	-	-	MAV02L300T10	104 €	-	-
342 cm	-	-	-	-	MAV02L320T10	107 €	-	-
228 cm	-	-	-	-	-	-	MAV02L200T14	100 €
248 cm	-	-	-	-	-	-	MAV02L220T14	105 €
268 cm	-	-	-	-	-	-	MAV02L240T14	112 €
288 cm	-	-	-	-	-	-	MAV02L260T14	117 €
308 cm	-	-	-	-	-	-	MAV02L280T14	122 €
328 cm	-	-	-	-	-	-	MAV02L300T14	131 €
348 cm	-	-	-	-	-	-	MAV02L320T14	138 €

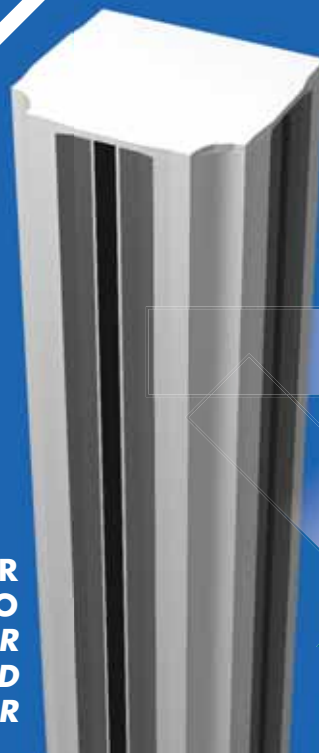
## ANGOLARI VERTICALI A 2 VIE PER CELLE SENZA PAVIMENTO 2 WAYS VERTICAL EDGES FOR COLD ROOMS WITHOUT FLOOR

LUNGHEZZA LENGTH	SPESSORE - THICKNESS							
	6 cm		8 cm		10 cm		14 cm	
	CODICE CODE	PREZZO PRICE	CODICE CODE	PREZZO PRICE	CODICE CODE	PREZZO PRICE	CODICE CODE	PREZZO PRICE
207 cm	MAV02L200T06NF	62 €	-	-	-	-	-	-
227 cm	MAV02L220T06NF	66 €	-	-	-	-	-	-
247 cm	MAV02L240T06NF	70 €	-	-	-	-	-	-
267 cm	MAV02L260T06NF	74 €	-	-	-	-	-	-
287 cm	MAV02L280T06NF	79 €	-	-	-	-	-	-
307 cm	MAV02L300T06NF	81 €	-	-	-	-	-	-
327 cm	MAV02L320T06NF	83 €	-	-	-	-	-	-
209 cm	-	-	MAV02L200T08NF	67 €	-	-	-	-
229 cm	-	-	MAV02L220T08NF	73 €	-	-	-	-
249 cm	-	-	MAV02L240T08NF	75 €	-	-	-	-
269 cm	-	-	MAV02L260T08NF	80 €	-	-	-	-
289 cm	-	-	MAV02L280T08NF	84 €	-	-	-	-
309 cm	-	-	MAV02L300T08NF	88 €	-	-	-	-
329 cm	-	-	MAV02L320T08NF	91 €	-	-	-	-
211 cm	-	-	-	-	MAV02L200T10NF	76 €	-	-
231 cm	-	-	-	-	MAV02L220T10NF	82 €	-	-
251 cm	-	-	-	-	MAV02L240T10NF	87 €	-	-
271 cm	-	-	-	-	MAV02L260T10NF	93 €	-	-
291 cm	-	-	-	-	MAV02L280T10NF	99 €	-	-
311 cm	-	-	-	-	MAV02L300T10NF	102 €	-	-
331 cm	-	-	-	-	MAV02L320T10NF	105 €	-	-
214 cm	-	-	-	-	-	-	MAV02L200T14NF	98 €
234 cm	-	-	-	-	-	-	MAV02L220T14NF	104 €
254 cm	-	-	-	-	-	-	MAV02L240T14NF	109 €
274 cm	-	-	-	-	-	-	MAV02L260T14NF	115 €
294 cm	-	-	-	-	-	-	MAV02L280T14NF	120 €
314 cm	-	-	-	-	-	-	MAV02L300T14NF	129 €
334 cm	-	-	-	-	-	-	MAV02L320T06NF	136 €

**ANGOLARI ORIZZONTALI A 3 VIE**  
**3 WAYS HORIZONTAL EDGES**



**ANGOLARI VERTICALI A 3 VIE PER**  
**CELLE CON E SENZA PAVIMENTO**  
**3 WAYS VERTICAL EDGES FOR**  
**COLD ROOMS WITH AND**  
**WITHOUT FLOOR**



**ANGOLARI ORIZZONTALI A 3 VIE - 3 WAYS HORIZONTAL EDGES**

LUNGHEZZA LENGTH	SPESSORE - THICKNESS					
	8 cm		10 cm		14 cm	
	CODICE CODE	PREZZO PRICE	CODICE CODE	PREZZO PRICE	CODICE CODE	PREZZO PRICE

80 cm	MAH03L08T08	<b>33 €</b>	MAH03L08T10	<b>37 €</b>	MAH03L08T14	<b>44 €</b>
100 cm	MAH03L10T08	<b>41 €</b>	MAH03L10T10	<b>46 €</b>	MAH03L10T14	<b>54 €</b>
120 cm	MAH03L12T08	<b>48 €</b>	MAH03L12T10	<b>55 €</b>	MAH03L12T14	<b>63 €</b>
140 cm	MAH03L14T08	<b>54 €</b>	MAH03L14T10	<b>62 €</b>	MAH03L14T14	<b>71 €</b>
160 cm	MAH03L16T08	<b>58 €</b>	MAH03L16T10	<b>67 €</b>	MAH03L16T14	<b>78 €</b>
180 cm	MAH03L18T08	<b>65 €</b>	MAH03L18T10	<b>74 €</b>	MAH03L18T14	<b>92 €</b>
200 cm	MAH03L20T08	<b>80 €</b>	MAH03L20T10	<b>90 €</b>	MAH03L20T14	<b>106 €</b>
220 cm	MAH03L22T08	<b>86 €</b>	MAH03L22T10	<b>98 €</b>	MAH03L22T14	<b>115 €</b>
240 cm	MAH03L24T08	<b>90 €</b>	MAH03L24T10	<b>103 €</b>	MAH03L24T14	<b>122 €</b>
260 cm	MAH03L26T08	<b>98 €</b>	MAH03L26T10	<b>110 €</b>	MAH03L26T14	<b>130 €</b>
280 cm	MAH03L28T08	<b>103 €</b>	MAH03L28T10	<b>116 €</b>	MAH03L28T14	<b>136 €</b>
300 cm	MAH03L30T08	<b>109 €</b>	MAH03L30T10	<b>122 €</b>	MAH03L30T14	<b>143 €</b>
320 cm	MAH03L32T08	<b>114 €</b>	MAH03L32T10	<b>127 €</b>	MAH03L32T14	<b>150 €</b>

## ANGOLARI VERTICALI A 3 VIE PER CELLE CON PAVIMENTO 3 WAYS VERTICAL EDGES FOR COLD ROOMS WITH FLOOR

LUNGHEZZA LENGTH						
	8 cm		10 cm		14 cm	
	CODICE CODE	PREZZO PRICE	CODICE CODE	PREZZO PRICE	CODICE CODE	PREZZO PRICE
214 cm	-	-	-	-	-	-
234 cm	-	-	-	-	-	-
254 cm	-	-	-	-	-	-
274 cm	-	-	-	-	-	-
294 cm	-	-	-	-	-	-
314 cm	-	-	-	-	-	-
334 cm	-	-	-	-	-	-
218 cm	MAV03L200T08	86 €	-	-	-	-
238 cm	MAV03L220T08	91 €	-	-	-	-
258 cm	MAV03L240T08	98 €	-	-	-	-
278 cm	MAV03L260T08	82 €	-	-	-	-
298 cm	MAV02L280T08	109 €	-	-	-	-
318 cm	MAV03L300T08	115 €	-	-	-	-
338 cm	MAV03L320T08	119 €	-	-	-	-
222 cm	-	-	MAV03L200T10	100 €	-	-
242 cm	-	-	MAV03L220T10	104 €	-	-
262 cm	-	-	MAV03L240T10	113 €	-	-
282 cm	-	-	MAV03L260T10	119 €	-	-
302 cm	-	-	MAV03L280T10	125 €	-	-
322 cm	-	-	MAV03L300T10	130 €	-	-
342 cm	-	-	MAV03L320T10	134 €	-	-
228 cm	-	-	-	-	MAV03L200T14	122 €
248 cm	-	-	-	-	MAV03L220T14	130 €
268 cm	-	-	-	-	MAV03L240T14	136 €
288 cm	-	-	-	-	MAV03L260T14	142 €
308 cm	-	-	-	-	MAV03L280T14	149 €
328 cm	-	-	-	-	MAV03L300T14	154 €
348 cm	-	-	-	-	MAV03L320T14	160 €

## ANGOLARI VERTICALI A 3 VIE PER CELLE SENZA PAVIMENTO 3 WAYS VERTICAL EDGES FOR COLD ROOMS WITHOUT FLOOR

LUNGHEZZA LENGTH						
	8 cm		10 cm		14 cm	
	CODICE CODE	PREZZO PRICE	CODICE CODE	PREZZO PRICE	CODICE CODE	PREZZO PRICE
207 cm	-	-	-	-	-	-
227 cm	-	-	-	-	-	-
247 cm	-	-	-	-	-	-
267 cm	-	-	-	-	-	-
287 cm	-	-	-	-	-	-
307 cm	-	-	-	-	-	-
327 cm	-	-	-	-	-	-
209 cm	MAV03L200T08NF	84 €	-	-	-	-
229 cm	MAV03L220T08NF	90 €	-	-	-	-
249 cm	MAV03L240T08NF	96 €	-	-	-	-
269 cm	MAV03L260T08NF	102 €	-	-	-	-
289 cm	MAV03L280T08NF	107 €	-	-	-	-
309 cm	MAV03L300T08NF	113 €	-	-	-	-
329 cm	MAV03L320T08NF	117 €	-	-	-	-
211 cm	-	-	MAV03L200T10NF	98 €	-	-
231 cm	-	-	MAV03L220T10NF	102 €	-	-
251 cm	-	-	MAV03L240T10NF	110 €	-	-
271 cm	-	-	MAV03L260T10NF	117 €	-	-
291 cm	-	-	MAV03L280T10NF	123 €	-	-
311 cm	-	-	MAV03L300T10NF	127 €	-	-
331 cm	-	-	MAV03L320T10NF	132 €	-	-
214 cm	-	-	-	-	MAV03L200T14NF	120 €
234 cm	-	-	-	-	MAV03L220T14NF	127 €
254 cm	-	-	-	-	MAV03L240T14NF	134 €
274 cm	-	-	-	-	MAV03L260T14NF	140 €
294 cm	-	-	-	-	MAV03L280T14NF	147 €
314 cm	-	-	-	-	MAV03L300T14NF	152 €
334 cm	-	-	-	-	MAV03L320T06NF	158 €



**SCAFFALATURA IN POLIPROPILENE ROFONDITA' 40 cm CON MONTANTI IN ALLUMINIO ANODIZZATO  
POLYPROPYLENE SHELVES, 40 cm THICKNESS WITH ANODIZED ALUMINIUM UPRIGHTS**

**CARATTERISTICHE TECNICHE**

Montanti in alluminio con piani in polipropilene.  
Altezza montanti 160/180/200 cm.  
Profondità ripiani 40 cm.

**TECHNICAL CHARACTERISTICS**

Aluminum uprights with polypropylene tops.  
160/180/200 cm long legs.  
40 cm deep shelves.



**4 piani - 4 shelves**

DIMENSIONI RIPIANI TOPS DIMENSIONS	MONTANTI UPRIGHTS 160 H cm	PESO WEIGHT KG	MONTANTI UPRIGHTS 180 H cm	PESO WEIGHT KG	MONTANTI UPRIGHTS 200 H cm	PESO WEIGHT KG
60x40 cm	€ 375,00	13	€ 385,00	14	€ 395,00	14
70x40 cm	€ 385,00	14	€ 395,00	15	€ 405,00	16
80x40 cm	€ 410,00	16	€ 420,00	17	€ 430,00	17
90x40 cm	€ 420,00	17	€ 430,00	18	€ 440,00	18
100x40 cm	€ 430,00	18	€ 440,00	19	€ 450,00	20
110x40 cm	€ 455,00	20	€ 465,00	21	€ 470,00	21
120x40 cm	€ 465,00	21	€ 475,00	22	€ 480,00	22
130x40 cm	€ 475,00	23	€ 485,00	23	€ 490,00	24
140x40 cm	€ 500,00	24	€ 510,00	25	€ 515,00	25
150x40 cm	€ 510,00	25	€ 520,00	26	€ 525,00	27
160x40 cm	€ 520,00	27	€ 530,00	27	€ 535,00	28
170x40 cm	€ 545,00	28	€ 550,00	29	€ 560,00	29
180x40 cm	€ 555,00	29	€ 560,00	30	€ 570,00	31
190x40 cm	€ 565,00	31	€ 575,00	32	€ 580,00	32
200x40 cm	€ 590,00	32	€ 595,00	33	€ 605,00	33



**3 piani - 3 shelves**

DIMENSIONI RIPIANI TOPS DIMENSIONS	MONTANTI UPRIGHTS 160 H cm	PESO WEIGHT KG	MONTANTI UPRIGHTS 180 H cm	PESO WEIGHT KG	MONTANTI UPRIGHTS 200 H cm	PESO WEIGHT KG
60x40 cm	€ 326,00	12	€ 336,00	13	€ 347,00	13
70x40 cm	€ 333,00	13	€ 343,00	14	€ 353,00	15
80x40 cm	€ 352,00	15	€ 362,00	16	€ 372,00	16
90x40 cm	€ 360,00	16	€ 370,00	17	€ 380,00	17
100x40 cm	€ 367,00	17	€ 377,00	18	€ 387,00	19
110x40 cm	€ 386,00	19	€ 396,00	20	€ 401,00	20
120x40 cm	€ 394,00	20	€ 404,00	21	€ 409,00	21
130x40 cm	€ 401,00	22	€ 411,00	22	€ 416,00	23
140x40 cm	€ 420,00	23	€ 430,00	24	€ 435,00	24
150x40 cm	€ 427,00	24	€ 437,00	25	€ 442,00	26
160x40 cm	€ 435,00	26	€ 445,00	26	€ 450,00	27
170x40 cm	€ 454,00	27	€ 459,00	28	€ 469,00	28
180x40 cm	€ 461,00	28	€ 466,00	29	€ 476,00	30
190x40 cm	€ 469,00	30	€ 479,00	31	€ 484,00	31
200x40 cm	€ 488,00	31	€ 493,00	32	€ 503,00	32

**SCAFFALATURA IN FILO ACCIAIO PLASTIFICATO PROFONDITA' 400 mm  
PLASTIC COATED WIRE STEEL SHELVES, 400 mm THICKNESS**



**CARATTERISTICHE  
TECNICHE**

Montanti e piani in acciaio  
filo plastificato.  
Altezza montanti 160 cm.  
Profondità ripiani 40 cm.

**TECHNICAL  
CHARACTERISTICS**

Uprights and tops made  
of plastic coated wire steel.  
160 cm long legs.  
40 cm deep shelves.

Montante da 44,5x160 h cm - Upright 44,5x160 h cm	€ 30,00
Griglia da 40x60 cm - Grid 40x60 h cm	€ 21,00
Griglia da 40x60 cm - Grid 40x80 h cm	€ 24,00
Griglia da 40x99,5 cm - Grid 40x99,5 h cm	€ 29,00
Griglia da 40x119,5 cm - Grid 40x119,5 h cm	€ 36,00

**DESCRIZIONE - DESCRIPTION - DESCRIPTION - BESCHREIBUNG**
**PREZZO  
PRICE  
PRIX  
PREIS**

€

**PORTE  
DOORS  
PORTES  
TÜREN**

Porta TN tampone da 60 x 190 H cm / 60x190 H cm NT hinges door	€ 788
Porta TN tampone da 80 x 190 H cm / 80x190 H cm NT hinges door	€ 851
Porta TN tampone da 90 x 190 H cm / 90x190 H cm NT hinges door	€ 903
Porta TN tampone da 100 x 190 H cm / 100x190 H cm NT hinges door	€ 945
Porta BT tampone da 60 x 190 H cm / 60x190 H cm LT hinges door	€ 913
Porta BT tampone da 80 x 190 H cm / 80x190 H cm LT hinges door	€ 977
Porta BT tampone da 90 x 190 H cm / 90x190 H cm LT hinges door	€ 1.029
Porta BT tampone da 100 x 200 H cm / 100x190 H cm LT hinges door	€ 1.066
Supplemento per porta TN/BT filo pavimento / Extract for NT-LT floor profile door	€ 145
Sportello TN 600 x 800 mm / NT 60x80 h cm halfdoor	€ 420
Sportello BT 600 x 800 mm / LT 60x80 h cm halfdoor	€ 473
Tenda a strisce in PVC per porta 60/70/85 x190 cm / PVC stripes curtain for 60-70-85 x190 cm door	€ 220
Tenda a strisce in PVC per porta 100 x190 cm / PVC stripes curtain door for 100 x190 cm door	€ 420
Tenda a strisce in PVC per porta 120 x190 cm / PVC stripes curtain door for 120 x190 cm door	€ 320
Guarnizione per porta tampone (4 lati) / Gasket for hinges door (4 sides)	€ 48
Guarnizione porta filo pavimento (3 lati) / Gasket for floor profile door (3 sides)	€ 47

**ACCESSORI  
ACCESSORIES  
ACCESSOIRES  
ZUBEHÖR**

Oblò in triplo vetro con telaio in PVC / Triple glass window with PVC frame	€ 363
Foro passaggio guidovia da 300x400 mm con gomma / Slit for overhead rail 300x400 mm with rubber	€ 220
Tubo schiumato nel vano porta / Tube foamed in the doorway	€ 163
Cavo riscaldante da 15 W L=5570 / Heating cable of 15 W L=5570	€ 37
Trasformatore 100 VA - 220/380 / Trasformer 100 VA - 220/380	€ 63
Microinterruttore per porta / Door microswitch	€ 27
Interruttore esterno / external switch	€ 11
Plafoniera stagna da 60 W / 60 W watertight ceiling light	€ 32
Maniglia per cella / Handle for NT-LT rooms	€ 80
Cerniere per cella / Hinge for NT-LT rooms	€ 55
Maniglione antipanico (abbinabile solo con maniglia MTH) / Antipanic door handle (combined only with MTH handle)	€ 221
Pedana esterna da 100x60 cm / 100x60 cm external platform	€ 300
Valvola di compensazione BT Minielebar (fino a 30 m <sup>3</sup> ) / Minielebar NT compensating valve (until 30 m <sup>3</sup> )	€ 42
Valvola di compensazione BT Elebar (fino a 100 m <sup>3</sup> ) / Elebar LT compensating valve (until 100 m <sup>3</sup> )	€ 60
Valvola di compensazione BT Maxielebar (fino a 600 m <sup>3</sup> ) / Maxielebar LT compensating valve (until 600 m <sup>3</sup> )	€ 280
Profilo ad U in pvc spessore 70 mm / "U" PVC 7 cm thickness Shape profile	€ 11
Profilo ad U in PVC spessore 100 mm / "U" PVC 10 cm thickness Shape profile	€ 15
Profilo sanitario in PVC / PVC sanitary profile	€ 8
Profilo paracolpi in PVC / PVC protection profile	€ 29
Profilo areazione pavimento / Ventilation floor profile	€ 19
Supplemento per pavimento rinforzato in legno marino resinato Portata puntuale 150 kg / Portata dinamica (su 4 ruote gommate) 270 Kg/mq / Portata statica (uniformemente distribuita 4800 Kg/mq) Extracost for reinforced floor with resined wood Precised load 120 kg / Dynamic load (on 4 rubber wheels) 220 Kg/mq / Static load (uniformemente distribuita: 4800 Kg/mq)	€ 98 /mq
Piletta di scarico / Drainage pipe	€ 137
Supplemento per superfici in SK plastificato / Extracost for plastic surfaces	A richiesta On request
Supplemento per superfici in INOX AISI 304 (per m <sup>2</sup> ) / Extracost for AISI 304 stainless steel surfaces (per m <sup>2</sup> )	A richiesta On request
Sospensioni per soffitti non autoportanti (1 ogni metro) / Suspensions for no holding ceiling (1 each meter)	€ 63

## Condizioni generali di vendita

### General sales conditions - Conditions de vente - Geschäftsbedingungen

**CONSEGNA** : I termini di consegna sono indicativi e si intendono in condizioni normali di lavoro. In nessun caso potrà essere richiesto a **JKS REFRIGERATION S.r.l.** il rimborso per eventuali danni per ritardata consegna, né il ritardo può costituire motivo di rescissione del contratto. L'acquirente ha infatti rinunciato a far valere ogni domanda, azione ed eccezione in ordine a tali ipotesi. **PREZZI** : I prezzi del presente listino non comprendono: IVA, trasporto, imballi speciali, oneri doganali, gabbie in legno, montaggio e collaudo. **RESA** : Franco ns. stabilimento. La merce viaggia a rischio e pericolo dell'acquirente anche nei casi in cui la merce, per accordi diversi, sia resa franco destino. **IMBALLO** : Imballo standard 45 €. Imballi speciali verranno addebitati al costo. **CONDIZIONI DI PAGAMENTO** : Da convenire. Tutti gli oneri relativi al pagamento di commissioni bancarie, bolli, ecc. saranno addebitati in fattura. Nel caso di ritardati pagamenti, l'azienda si riserva il diritto di sospendere la consegna degli ordini in corso, senza obbligo di alcuna comunicazione. Le parti espressamente convengono che l'acquirente acquisirà la proprietà del materiale all'atto del pagamento integrale del prezzo complessivo concordato, oltre agli accessori, ma ne assumerà i rischi dal momento della consegna ex art. 1523 C.C. In seguito alla scadenza dei termini concordati dalle parti per il pagamento del materiale, nessun reclamo riguardante la qualità della merce potrà essere fatto valere, neppure in via d'eccezione, in sede giudiziaria, se regolare pagamento della merce alla quale il reclamo si riferisce non avrà ancora avuto luogo. **INTERESSI DI MORA** : Il ritardato pagamento comporta automaticamente l'addebito degli interessi di mora al 1,5 % mensile dal giorno di scadenza del pagamento indicato in fattura. Saranno addebitate, inoltre, tutte le spese sostenute per il recupero delle somme dovute. **GARANZIA** : La garanzia è di 12 mesi dalla data di spedizione e si intende sulle singole parti. Il Venditore non risponde dei danni diretti e/o indiretti provocati dalle e/o alle attrezzature, impianti, persone per uso improprio o colposo della stesse, per urti, per installazione non corretta, per utilizzazione fuori tolleranza. I pezzi difettosi dovranno essere resi franco ns. stabilimento e saranno sostituiti in garanzia solo dopo verifica. I pezzi riconosciuti difettosi saranno sostituiti e spediti franco destino a mezzo corriere o posta. La garanzia non copre i costi relativi alla sostituzione del pezzo, è valida soltanto nei confronti dell'acquirente originario e non contempla la sostituzione del mobile intero. **COPYRIGHT JKS REFRIGERATION S.r.l.** : Tutti i disegni e gli altri documenti restano di proprietà della venditrice e non possono essere riprodotti, copiati, dati a terzi senza il consenso scritto della venditrice. **CONTROVERSIE** : Per ogni controversia è competente in via esclusiva il foro di Padova e la legge italiana salva facoltà per la venditrice di adire il Foro di residenza del compratore; le parti potranno tuttavia decidere di comune accordo di sottoporre la controversia ad arbitrato. **COME ORDINARE** : Si accettano solo ordini scritti e completi. L'ordine dovrà indicare i codici delle singole parti come indicati nel presente listino. Seguirà nostra conferma d'ordine, a mezzo fax o posta, che si intende accettata se non contestata entro 3 gg. dalla data di invio. **JKS REFRIGERATION S.r.l.** si riserva la facoltà, qualora si rendesse opportuno, di variare e/o di modificare i prodotti e i prezzi indicati sul presente listino in qualsiasi momento senza bisogno di alcun preavviso.

**DELIVERY** : The delivery times are approximate and refer to normal working conditions. In no case shall the seller be asked for reimbursement for any damages due to delayed delivery, nor shall the delay constitute a reason for cancellation of the contract. **PRICES** : The prices shown in this pricelist are exclusive of: VAT, carriage, special packing, custom duties, wooden crates, assembly and final test and inspection. **DELIVERY TERMS** : EXW. Goods travel at the consignee's risk, even in case of delivery free of charge. **PACKING** : Standard packing 45€. Special packing shall be charged at cost. **TERMS OF PAYMENT** : To be agreed. All charges related to payment of bank commissions, stamp duties, etc. shall be debited on the invoice. In the event of delayed payments, the company reserve the right to suspend delivery of the orders on hand, without giving notice. The parties agree that the buyer will get the ownership of the material after payment of the total price, accessories included, but he will take the risks after delivery of the goods (ex art. 1523 C.C. Italian Law). After the payment terms agreed by the two parties have fallen due, no complaint relating the quality of the goods can be made, unless regular payment of the goods has been effected. **DEFAULT INTEREST** : Any delay in payments automatically leads to the charging of default interest at 1,5% monthly rate from the expiry date which is indicated in the invoice. Any charges bearded to recover due amounts are for the buyer's account. **WARRANTY** : The warranty period is 12 months from the date of dispatch and covers every single part. The seller is not responsible for direct damages and/or to equipment, plants, people for improper use, for bumps, wrong installation, for use out of tolerance. Faulty parts are to be delivered ex our works and will be replaced under guarantee only after thorough check. The recognized faulty parts will be replaced and mailed or sent free of charge by carrier. The guarantee does not cover the charges of replacement of parts, it is not transferable and complete replacement of parts or appliance is at the final discretion of the manufacturer. **COPYRIGHT JKS REFRIGERATION S.r.l.**: All the diagrams and the other documents shall be considered as property of the seller and shall not be reproduced, copied, or transmitted to third parties without the written consent of the seller. **DISPUTES** : Any and all disputes regarding the contract shall be settled exclusively by the Court of Justice of Padova and shall be governed by the Italian laws save the seller's right to apply to the Court of Justice in the buyer's town. Nevertheless the parties can decide by mutual consent to submit the dispute to arbitration. **HOW TO ORDER** : We accept only written and complete orders. The order must indicate codes, as written in this price-list. Confirmation of order will follow, by fax and/or mail, and it is considered accepted if not contested within 3 days. **JKS REFRIGERATION S.r.l.** reserve the right to change the products and the prices shown in the price list without notice.

**LIVRAISON** : Le délais de livraison sont indiqués à titre indicatif et se réfèrent à des conditions de travail normales. En aucun cas on pourra demander un remboursement pour un retard dans la livraison, et le retard ne peut pas être occasion de rescision du contrat. L'acheteur a renoncé à faire valoir chaque demande dans ce sens. **PRIX** : Le prix du notre catalogue ne comprennent pas: la T.V.A., le transport, les emballages spéciaux, les frais de douane, le cages en bois, le montage et l'essai. **TRANSPORT** : départ notre usine. L'acheteur se charge des risques et des dangers pour la marchandise au cours du transport, même pour le cas où la marchandise, pour des accords différents est livrée franco destination. **EMBALLAGE** : Emballage standard 45 €. Les emballages spéciaux sont rajoutés au prix total. **CONDITIONS DE PAIEMENT** : A établir. Tous les frais relatifs au paiement de commissions bancaires, timbres, etc. seront mis en compte dans la facture. Dans le cas de retard de paiements, l'entreprise se réserve le droit de suspendre la livraison des commandes en cours, sans qu'un avertissement préalable ne soit nécessaire. Les parties expressément conviennent que l'acheteur obtenir a la propriété du matériel à l'acte du paiement intégral du prix global concordé, autre aux accessoires, mais il en charge les risques de la date de livraison (ex art. 1523 C.C. de la Loi Italienne). Après la échéance des délais convenus pour le paiement du matériel, on ne pourra pas faire aucun réclamation regardant la qualité de la marchandise pas même exceptionnellement, légalement, si régulier paiement auquel la marchandise se réfère ne aura pas encore eu effectué. **INTERETS MORATOIRES** : En cas de retard de paiement on appliquera un intérêt du 1,5% par mois, du jour de l'échéance du paiement, indiqué dans la facture. De plus vous seront débitées les frais pour la récupération de la créance. **GARANTIE** : La garantie est de 12 mois de la date d'expédition et couvre chaque pièce. Le vendeur n'est pas responsable du dommages directs et/ou indirects provoques des et/ou aux équipements, installation, personnes, à cause d'un usage incorrect, pour coups, pour installation incorrecte, dommages qui dérivent d'un différent usage de celui indiquées de la société constructrice. Les parties défectueuses doivent être rendues franco établissement et seront substituées en garantie seulement après un contrôle. Les parties considérées défectueuses seront substituées et livrées franco destination par courrier ou par poste. La garantie ne couvre pas les coûts concernent la substitution de la pièce; elle est valable seulement pour l'acheteur originel et ne comprend pas la substitution de l'étagère entier. **COPYRIGHT JKS REFRIGERATION S.r.l.**: Tous les dessins et les documents appartiennent à l'acheteur et ils ne peuvent pas être reproduis, copiés ou donnés à tiers sans le consentements du vendeur. **CONTROVERSES** : Pour chaque éventuel litige le tribunal de Padova est le seul compétent et on fait suite la loi Italienne en vigueur au moment de la vente. Les parties pourront toutefois décider de commun accord de soumettre le litige à un arbitrage. **COMME COMMANDER**: On accepte seulement des commandes écrites et complètes. La commande devra indiquer les codes des singles parties conformément à l'indication dans cette liste de prix. Une confirmation d'ordre de notre part suivra votre commande. Elle sera considérée correcte et acceptée si elle ne sera pas contestée dans 3 jours de la date de l'envoi par fax ou poste. **JKS REFRIGERATION S.r.l.** se réserve le droit d'apporter, sans préavis, à ses produits et au prix indiquées toutes les modifications nécessaires.

**LIEFERUNG** : Die Lieferbedingungen gelten lediglich als Hinweise und verstehen sich unter normalen Arbeitsbedingungen. In keinem Fall kann man eine Entschädigung wegen verspäteter Lieferung verlangen, und in keinem Fall kann man wegen einer Verspätung den Vertrag stornieren. Der Besteller hat darauf verzichtet, jedes Gesuch in diesem Sinn einzureichen. **PREISE** : Im Preis sind MWSt., Transport, Sonderverpackungen, Zollgebühren, Holzkisten, Montage und Endabnahmeprüfung nicht inbegriffen. **TRANSPORT** : Wenn nicht ausdrücklich vereinbart, verstehen sich unsere Preise ab Werk (EXW). Der Käufer übernimmt die volle Verantwortung beim Transport. Dies gilt auch für den Fall, bei dem eine Lieferung frei Haus vereinbart wurde. **VERPACKUNG** : Die Standard Verpackung ist 45 €. Spezialverpackungen werden zum Kostenpreis berechnet. **ZAHLUNGSBEDINGUNGEN** : Zu vereinbaren. Alle mit der Zahlung verbundenen Gebühren wie z.B. Bankspesen, Gebührenmarken usw. werden in Rechnung gestellt. Im Falle verspäteter Zahlungen behält sich die Firma das Recht vor, die Lieferung der laufenden Bestellungen ohne die Verpflichtung irgendeiner Mitteilung auszusetzen. Die Parteien vereinbaren, dass der Einkäufer das Eigentum des Materials bei der Zahlung des Gesamtpreises, Zubehörteile inbegriffen, erwerben wird, aber er wird die Risiken ab der Lieferung übernehmen (art. 1523 C.C. des Italienischen Gesetzes). Bei Ablauf der Zahlungszeit kann man keine Beschwerde über die Qualität der Ware einreichen, nicht einmal gerichtlich, ohne dass die regelmäßige Zahlung geleistet worden ist. **VERZUGSZINSEN** : Die verspäteten Zahlungen zeihen automatisch die Berechnung von Verzugszinsen entsprechend 1,5% monatlich ab Verfalldatum nach sich. Bei allfälligen gerichtlichen Einforderungen gehen die gesamten anfallenden Kosten zu Lasten des Sammers. **GARANTIE** : Die Garantiezeit beträgt 12 Monate ab Versanddatum. Ausgeschlossen von der Garantie sind Schäden, die durch unsachmüßige Behandlung, fehlerhafte Installation oder unfachmännische Reparatur entstehen. Wir haften nicht für Schaden an Dritt-Person. Schadensmeldungen sind sofort unter Angaben der Schadenhaften Teile und evtl. Schadensursache dem Lieferanten schriftlich mitzuteilen. Dies gilt insbesondere bei fehlerhafter Lieferung. Auszutauschende Teile sind beim Lieferanten unter Angabe der jeweiligen Code-Bezeichnung schriftlich anzufordern. Sie erhalten eine Rechnung. Sobald die defekten Teile bei uns eintreffen und diese geprüft wurden, erhalten Sie ein Gutschrift. **COPYRIGHT JKS REFRIGERATION S.r.l.**: Alle Zeichnungen und Unterlagen gehören dem Bestseller und können nicht reproduziert, kopiert und zu dritten Personen gegeben werden ohne schriftliche Genehmigung des Verkäufers. **MEINUNGSVERSCHIEDENHEITEN** : Bei eventuellen Meinungsverschiedenheiten ist der Gerichtstand Padova und das Italienische Gesetz zuständig, das Recht vorbehalten, den Gerichtstand in der Stadt des Einkäufers anrufen; die Parteien können dennoch entscheiden, die Streitfrage dem Schiedsgericht zu unterbreiten. **BESTELLABLAUF** : Wir bitten Sie, alle Bestellungen schriftlich zu unterbreiten. Bitte geben Sie Art.Nr., Bezeichnung der Produkte und gewünschte Menge an. Sie erhalten umgehend eine detaillierte Auftragsbestätigung, die Sie uns bitte mit Ihrer Unterschrift versehen zurückfaxen werden. Die Aufträge werden nur ausgeführt, wenn Ihre Rückbestätigung vorliegt **JKS REFRIGERATION S.r.l.**







**MAGGIORI  
INFORMAZIONI  
MORE  
INFORMATION**

**Tel.: +39 049 88.73.055  
info@jks-refrigeration.com**



## **JKS Refrigeration S.r.l.**

**Sede Amministrativa e Stabilimento:**

Via G.B. Tiepolo, 2 - 35010 - CADONEGHE (PD) - ITALY  
Tel.: +39 049 88.73.055 - Fax: +39 049 88.73.161

**Sede Legale:**

Via N. Tommaseo, 70 - 35131 - PADOVA - ITALY  
P. IVA - C.F. - R.I.: IT04114550280 - REA: 362978  
Capitale sociale: 10.000 €



**L-MAXI - REV.04\_10/2013  
Stampato/Printed: 10/2013**

# **MAXI**

**Celle Frigorifere Modulari  
Modular Cold and Freezer Rooms**



**#1 ECOLOGIA AL  
PRIMO POSTO  
ECOLOGY  
COMES FIRST**

**JKS è attenta alla  
salvaguardia dell'ambiente ed i suoi  
prodotti non contengono gas CFC.**

**JKS really pay high attention to the envi-  
ronment: our products do not  
contain CFC gas.**

**JKS fait très attention à la sauvegarde de  
l'environnement et ses produits ne  
contiennent pas de gaz CFC.**

**JKS richtet ihre Aufmerksamkeit auf  
Umwelt: alle die Produkte sind FCKW-  
frei.**

Le immagini raffiguranti il prodotto sono state realizzate al momento della stampa del presente catalogo e sono pertanto puramente indicative, potendo essere soggette a variazione. JKS S.r.l. si riserva il diritto di modificare modelli, caratteristiche e prezzi senza preavviso. Tutti i dati sono forniti a titolo indicativo e non impegnano il Costruttore. Fanno fede e sono vincolante unicamente i dati forniti nella conferma d'ordine - The images showing the products have been taken during the printing of this catalogue and therefore they are merely indicative and could be subject to variations. JKS S.r.l. holds the right to modify the models, characteristics and prices without notice. All the details are provided as a rough guide and they do not commit the Manufacturer. Only the information indicated on the order confirmation is binding and counts as a proof.

**WWW.JKS-REFRIGERATION.COM**



**Prodotti Italiani - Italian Products**